

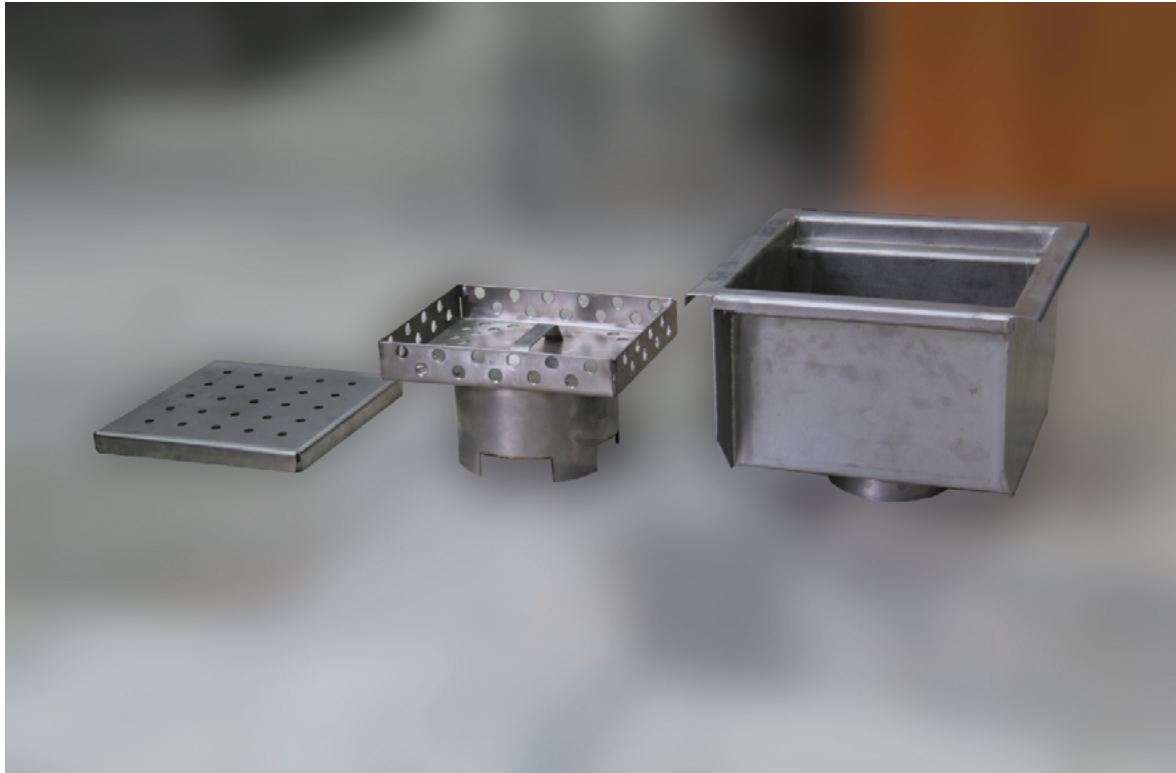


POLICON
Engineering & Manufacturing

Sewer gangway

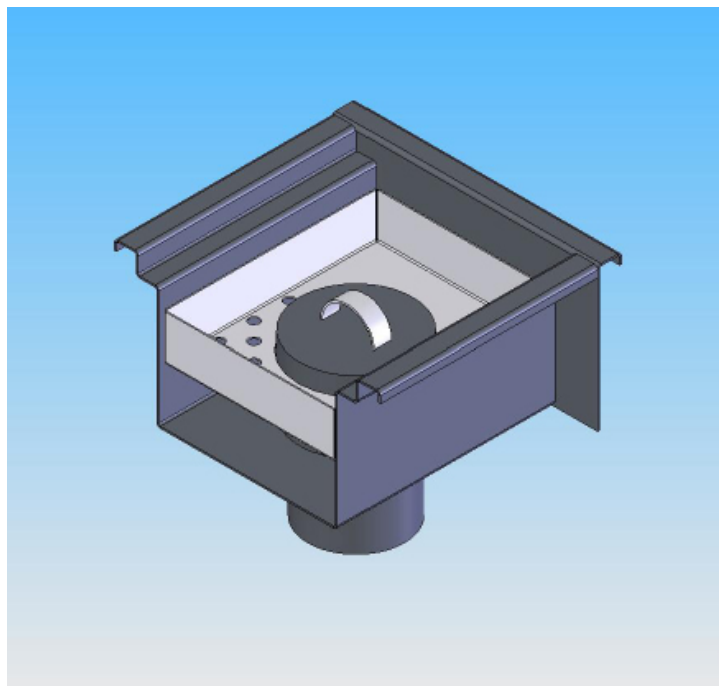
Sewer gangway

Sewer gangway is designed to discharge wastewater into the sewer network.

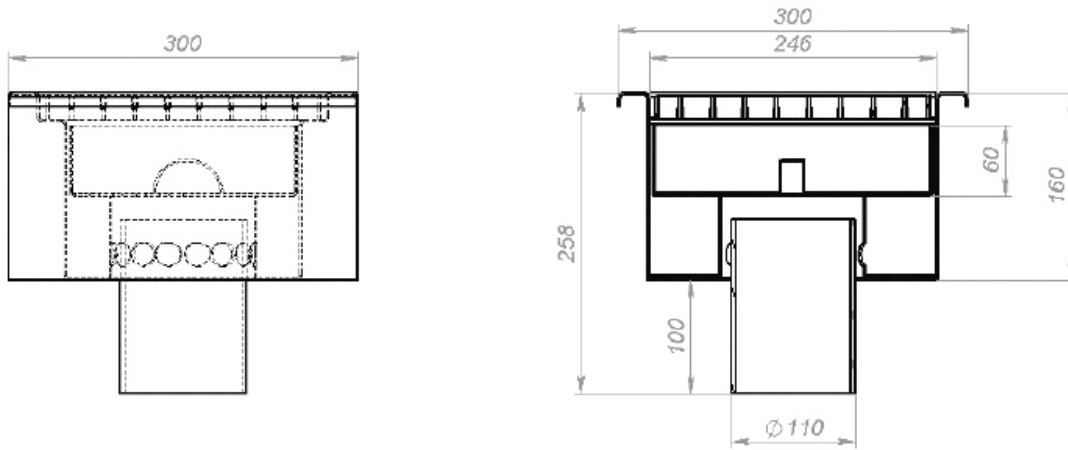


Sewer gangways are made of various modifications with vertical or horizontal outlets of various diameters used in the equipment of the intra-workshop sewer system.

All sewer gangway are equipped with hydraulic locks and gratings.



Sewer gangway



This product can be manufactured according to the technical specifications of the customer, taking into account its predetermined parameters and features.

Full cycle engineering services

Food Machinery

Machinery for tires, rubber, plastics manufacturing

Machinery for the chemical and oil and gas industry

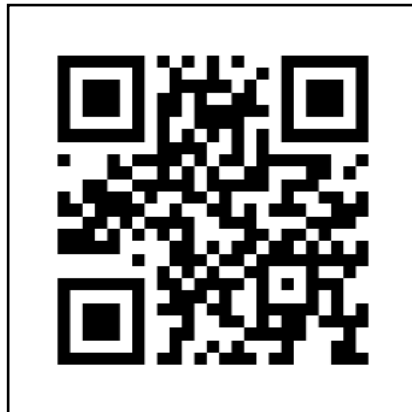
Machinery for the perfumery and cosmetic industry

Modernization and automation of production

Non-standart equipment

Production of spare parts, components, assemblies

Outsourcing services - repair and maintenance of equipment



Policon JSCo

194 Lermontov Str, Omsk 644009, Russia

Tel./Fax: +7 (3812) 36 74 12, 36 74 02, 48 48 30

e-mail: info@policon-rt.ru

www.policon-rt.ru